

# **FR Exhaust**

P R O D U C T S



# **Exhaust System**

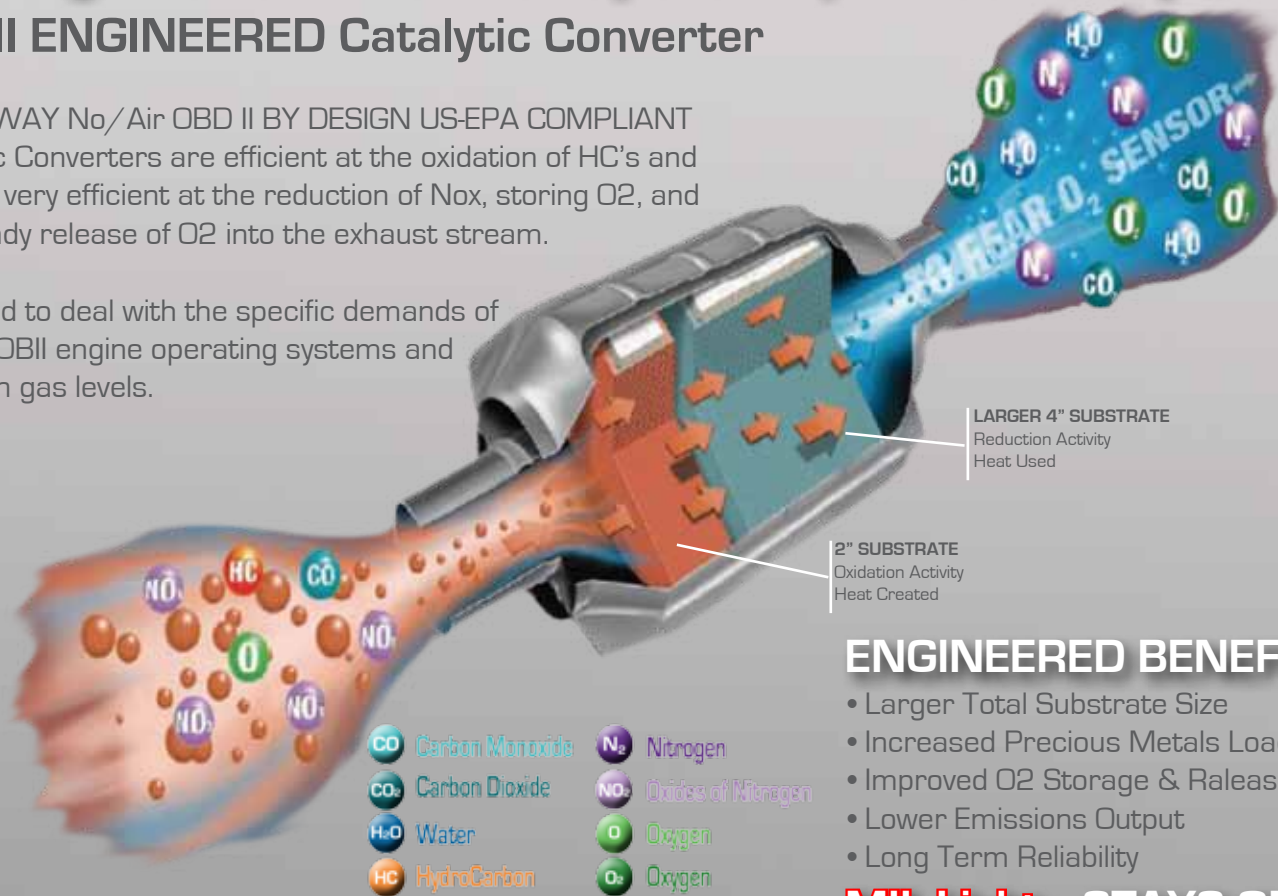
*For heavy-duty and passenger vehicles*

# The Right Choice For Today's Complex OBD!! Systems

## OBDII ENGINEERED Catalytic Converter

THREE-WAY No/Air OBD II BY DESIGN US-EPA COMPLIANT Catalytic Converters are efficient at the oxidation of HC's and CO, and very efficient at the reduction of Nox, storing O2, and the steady release of O2 into the exhaust stream.

Designed to deal with the specific demands of today's OBDII engine operating systems and emission gas levels.



## ENGINEERED BENEFITS

- Larger Total Substrate Size
- Increased Precious Metals Loading
- Improved O<sub>2</sub> Storage & Release
- Lower Emissions Output
- Long Term Reliability

**MIL Light ...STAYS OFF!**

## *Direct Fit Exhaust*

Partes de Ajuste Directo

We offer direct fit catalytic converter for every brand and model. Two days delivery time. Just contact us.

Ofrecemos convertidores Cataliticos de ajuste directo para cada marca y modelo de auto. Las entregas son contra pedido. Solo contáctenos





# *Catalytic Converters*

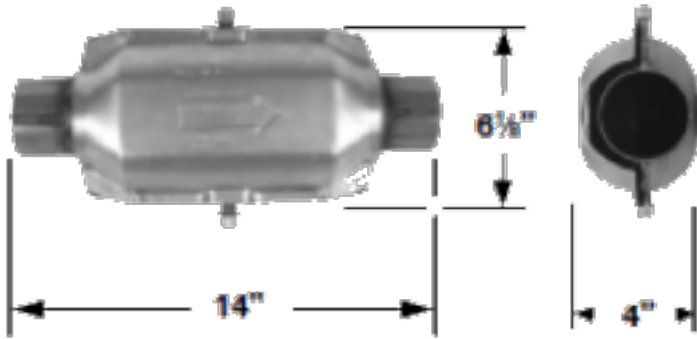
Convertidores Cataliticos

# Series 10, 20, 30

## STANDART DUTY

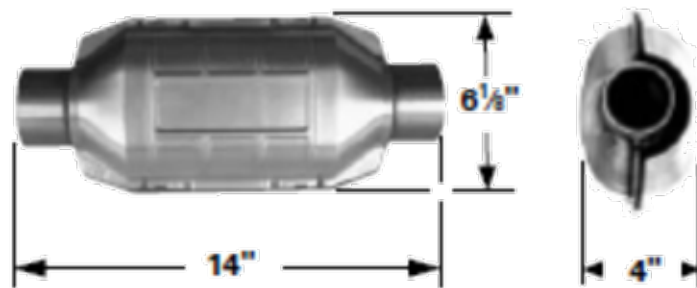
Standard Duty	EPA Eng./Test Weight	CARB Eng./Test Weight
2-WAY	5,9L, 5500 lbs	5,9L, 5500 lbs
3-WAY	5,9L, 5500 lbs	5,9L, 5500 lbs
3-WAY, w/Air	5,9L, 5500 lbs	5,9L, 5500 lbs

Oval - Body Dimension: 10\*\* Series, w/Air Tube  
 Ovalado - Dimensiones Serie 10 con tubo de aire



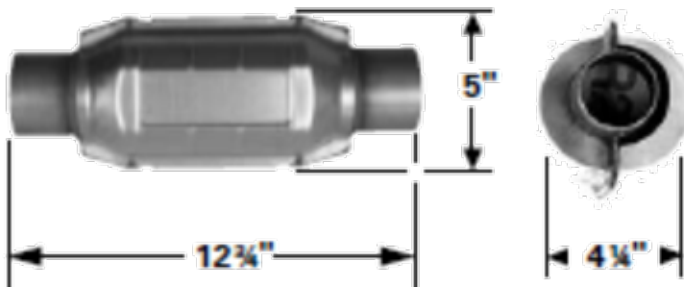
AP	IR	IN	OUT
602003	CAT-10134	1 3/4"	1 3/4"
602004	CAT-10200	2"	2"
602005	CAT-10214	2 1/4"	2 1/4"
602006	CAT-10212	2 1/2"	2 1/2"
602007	CAT-10300	3"	3"

Oval - Body Dimension: 21\*\* Series, w/o Air Tube  
 Ovalado - Dimensiones Serie 21 sin tubo de aire



AP	IR	IN	OUT
602203	CAT-20134	1 3/4"	1 3/4"
602204	CAT-20200	2"	2"
602205	CAT-20214	2 1/4"	2 1/4"
602206	CAT-20212	2 1/2"	2 1/2"
602207	CAT-20300	3"	3"

Oval - Body Dimension: 21\*\* Series, w/o Air Tube  
 Ovalado - Dimensiones Serie 21 sin tubo de aire



AP	IR	IN	OUT
602213	CAT-21134	1 3/4"	1 3/4"
602214	CAT-21200	2"	2"
602215	CAT-21214	2 1/4"	2 1/4"
602216	CAT-21212	2 1/2"	2 1/2"

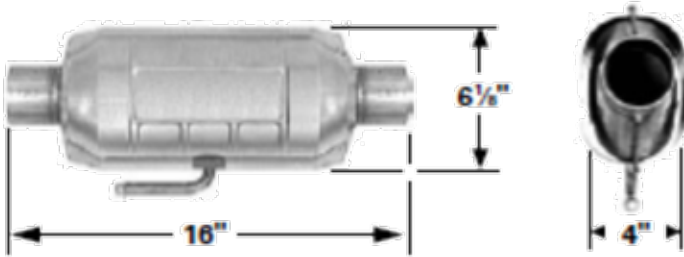
Convertidores Cataliticos

# Serie 29

ENHANCED STANDART DUTY

Enhanced Standard Duty	EPA Eng./Test Welght	CARB Eng./Test Welght
2-WAY	5,9L, 6515 lbs	5,9L, 6515 lbs
3-WAY	5,9L, 6515 lbs	5,9L, 6515 lbs
3-WAY, w/ Air	5,9L, 6515 lbs	5,9L, 6515 lbs

Round: Body Dimensions 29 Series w/ air tube  
 Redondo - Dimensiones Serie 21 con tubo de aire



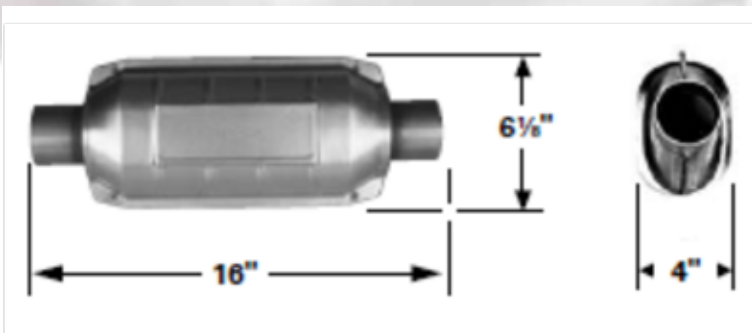
AP	IR	IN	OUT
602533	CAT-29134	1 3/4"	1 3/4"
602534	CAT-29200	2"	2"
602535	CAT-29214	2 1/4"	2 1/4"
602536	CAT-29212	2 1/2"	2 1/2"
602537	CAT-29300	3"	3"

# Serie 22, 30, 31

ENHANCED STANDART DUTY

Enhanced Standard Duty	EPA Eng./Test Welght	CARB Eng./Test Welght
2-WAY	5,9L, 6515 lbs	5,9L, 6515 lbs
3-WAY	5,9L, 6515 lbs	5,9L, 6515 lbs
3-WAY, w/ Air	5,9L, 6515 lbs	5,9L, 6515 lbs

Oval - Body Dimensions: 22 Serie, w/o air tube  
 Ovalado-Dimensiones: Serie 22 sin tubo de aire



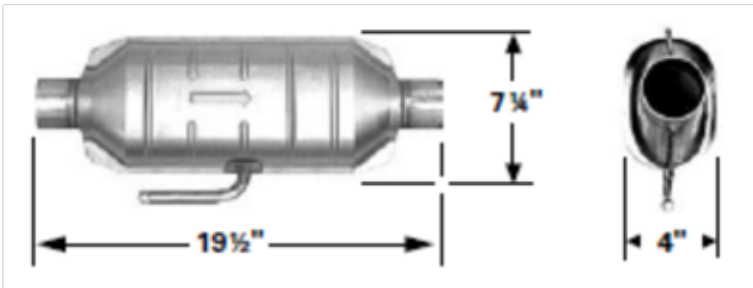
AP	IR	IN	OUT
602543	CAT-22134	1 3/4"	1 3/4"
602544	CAT-22200	2"	2"
602545	CAT-22214	2 1/4"	2 1/4"
602546	CAT-22212	2 1/2"	2 1/2"
602547	CAT-22300	3"	3"

**Catalytic Converters**

Convertidores Cataliticos

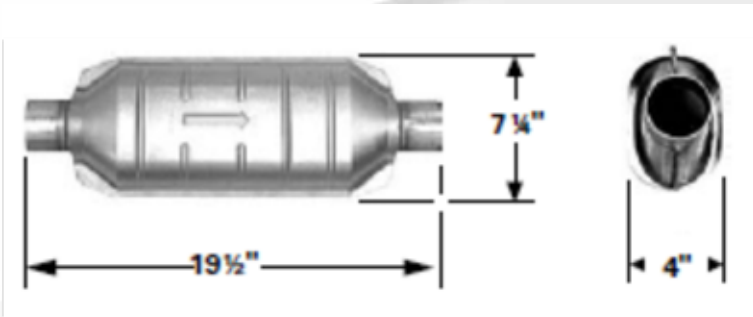
**Catalytic Converters**  
 Convertidores Cataliticos

Oval - Body Dimensions: 30 Serie, w/ air tube  
 Ovalado-Dimenciones: Serie 30 con tubo de aire



AP	IR	IN	OUT
602573	CAT-30134	1 3/4"	1 3/4"
602574	CAT-30200	2"	2"
602575	CAT-30214	2 1/4"	2 1/4"
602576	CAT-30212	2 1/2"	2 1/2"
602577	CAT-30300	3"	3"

Oval - Body Dimensions: 31 Serie, w/o air tube  
 Ovalado-Dimenciones: Serie 31 sin tubo de aire



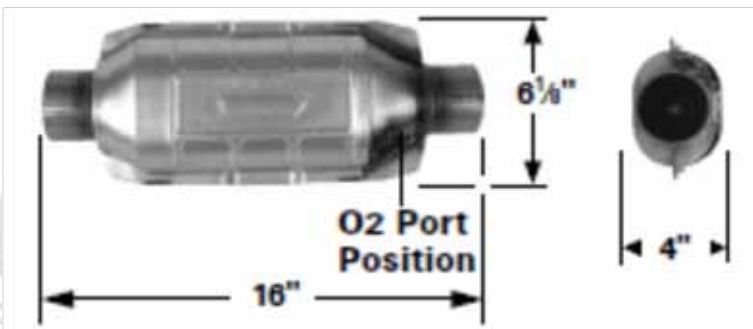
AP	IR	IN	OUT
602583	CAT-31134	1 3/4"	1 3/4"
602584	CAT-31200	2"	2"
602585	CAT-31214	2 1/4"	2 1/4"
602586	CAT-31212	2 1/2"	2 1/2"
602587	CAT-31300	3"	3"

## Serie 28, 24, 25, 26

EPA OBDII BY DESIGN

EPA OBD II	EPA Eng./Test Welght	CARB Eng./Test Welght
3-WAY	5,9L, 6250 lbs	NA
3-WAY, w/ Air	5,9L, 6250 lbs	NA

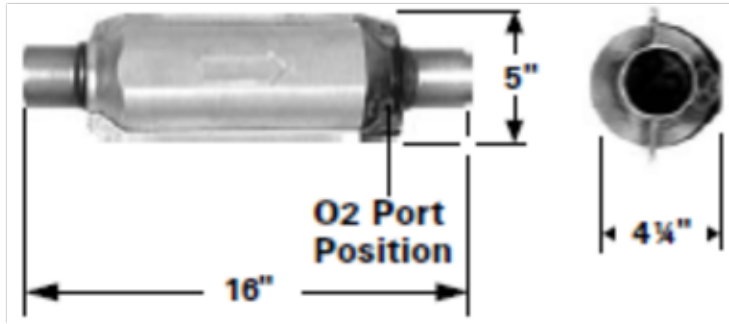
Oval - Body Dimensions: 28 Series w/o Air tube  
 Ovalado - Dimensiones: Serie 28 sin tubo de aire



AP	IR	IN	OUT
608204	CAT-28200	2"	2"
608205	CAT-28214	2 1/4"	2 1/4"
608206	CAT-28212	2 1/2"	2 1/2"

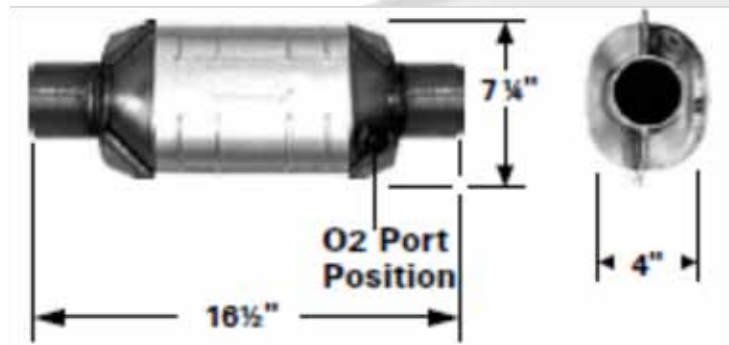
Convertidores Cataliticos

Oval - Body Dimensions: 24 Series w/o Air tube  
 Ovalado - Dimensiones: Serie 24 sin tubo de aire



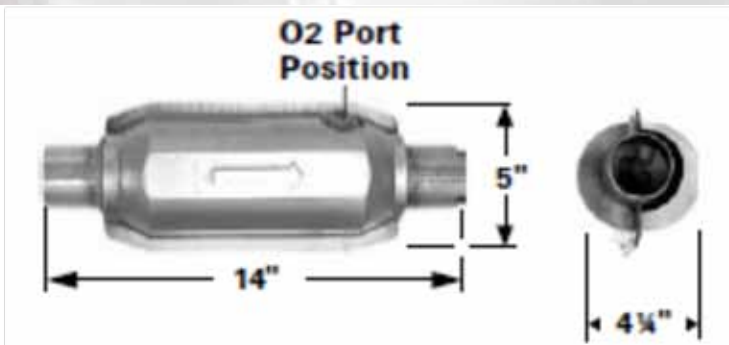
AP	IR	IN	OUT
608214	CAT-28200	2"	2"
608215	CAT-28214	2 1/4"	2 1/4"
608216	CAT-28212	2 1/2"	2 1/2"

Oval - Body Dimensions: 25 Series w/o Air tube  
 Ovalado - Dimensiones: Serie 25 sin tubo de aire



AP	IR	IN	OUT
608224	CAT-25200	2"	2"
608225	CAT-25214	2 1/4"	2 1/4"
608226	CAT-25212	2 1/2"	2 1/2"
608227	CAT-25300	3"	3"

Oval - Body Dimensions: 26 Series w/o Air tube  
 Ovalado - Dimensiones: Serie 26 sin tubo de aire



AP	IR	IN	OUT
6025 v43	CAT-22134	1 3/4"	1 3/4"
602544	CAT-22200	2"	2"
602545	CAT-22214	2 1/4"	2 1/4"
602546	CAT-22212	2 1/2"	2 1/2"
602547	CAT-22300	3"	3"

# Catalytic Converters

Convertidores Cataliticos

**Catalytic Converters**  
 Convertidores Cataliticos



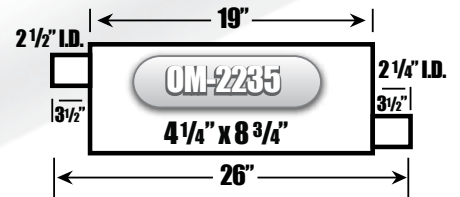
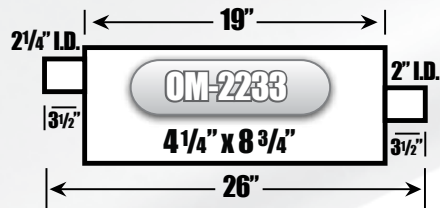
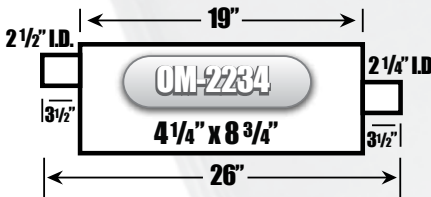
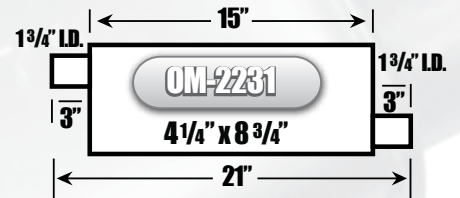
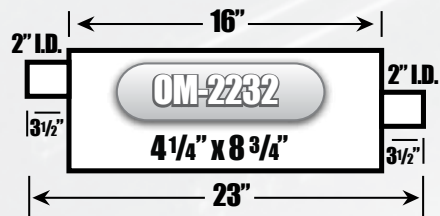
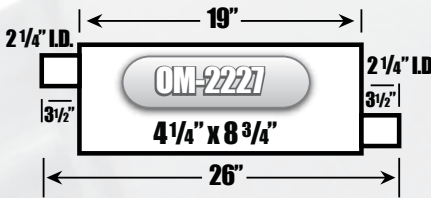
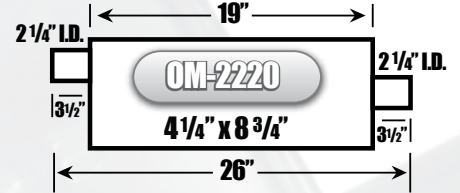
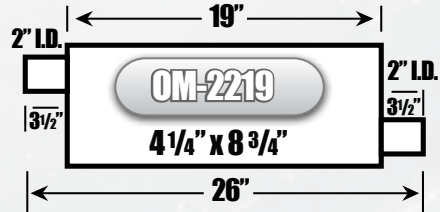
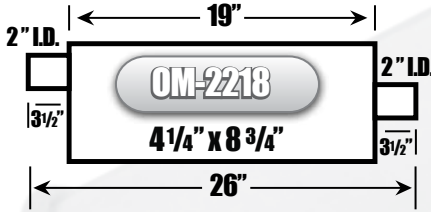
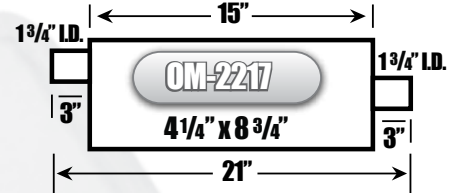
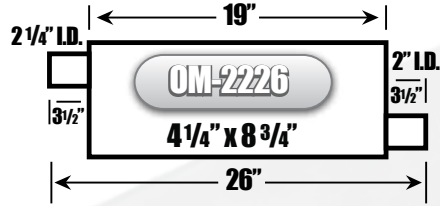
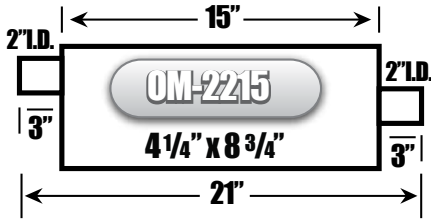
# *Aluminized Mufflers*

Mufflers Aluminizados



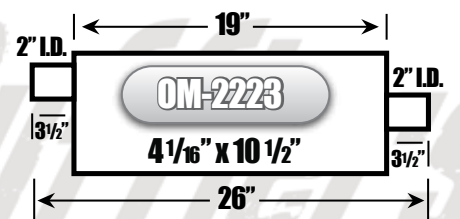
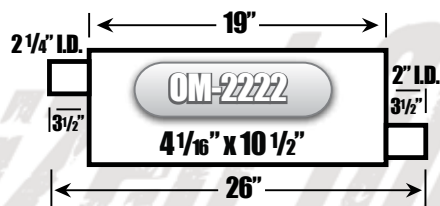
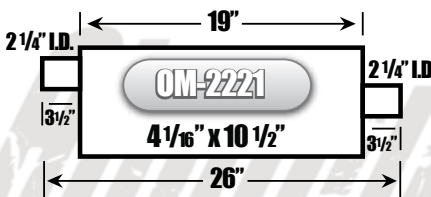
# Oval Mufflers 4 1/4" x 8 3/4"

Mufflers Ovalados 4 1/4" x 8 3/4"



# Oval Mufflers 4 1/16" x 10 1/2"

Mufflers Ovalados 4 1/16" x 10 1/2"



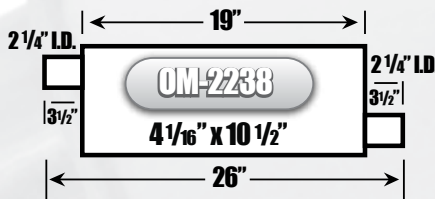
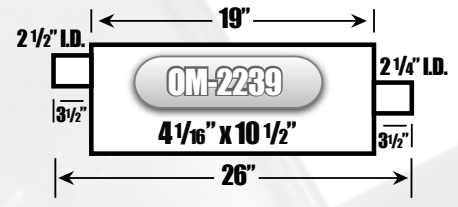
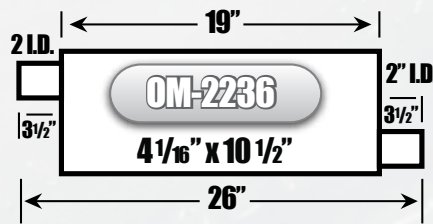
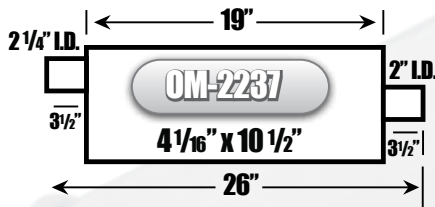
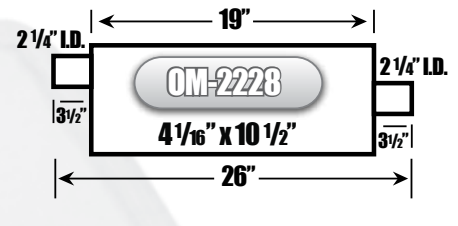
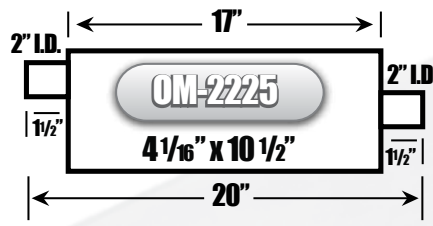
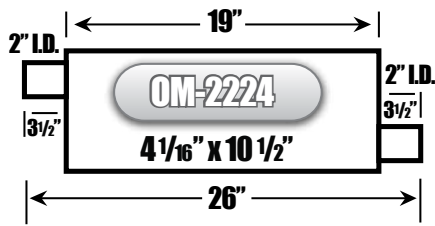
Mufflers Aluminizados

*Mufflers Aluminized*

Mufflers Aluminizadas

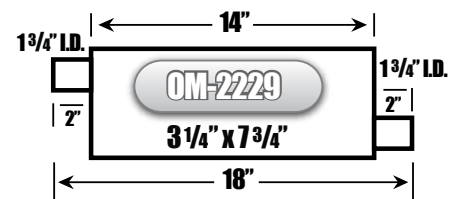
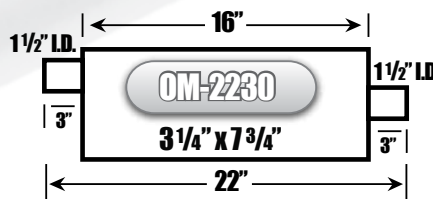
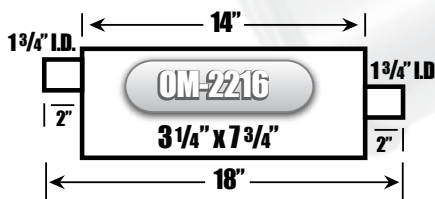
## Oval Mufflers 4 1/16" x 10 1/2"

Mufflers Ovalados 4 1/16" x 10 1/2"



## Oval Mufflers 3 1/4" x 7 3/4"

Mufflers Ovalados 3 1/4" x 7 3/4"



# Aluminized Mufflers

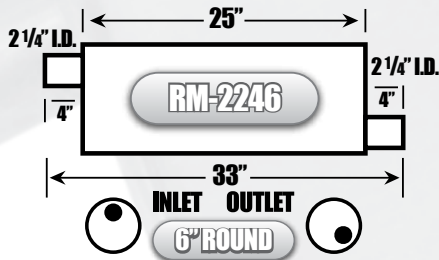
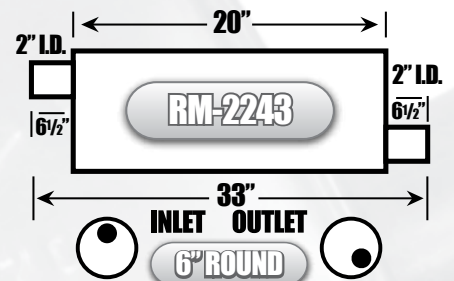
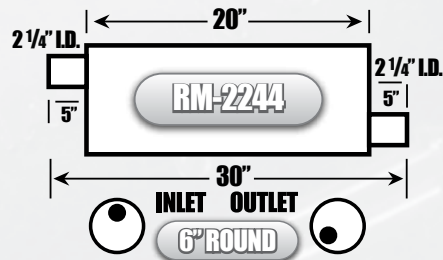
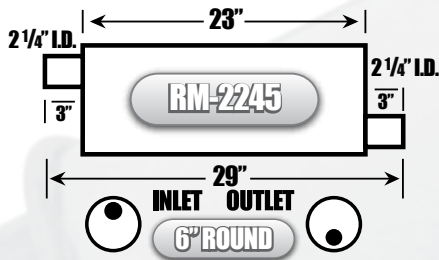
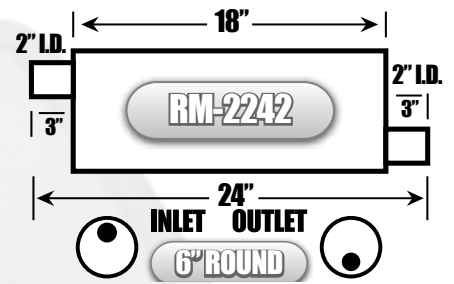
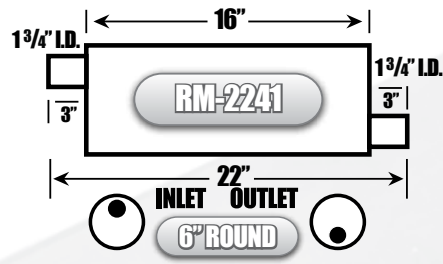
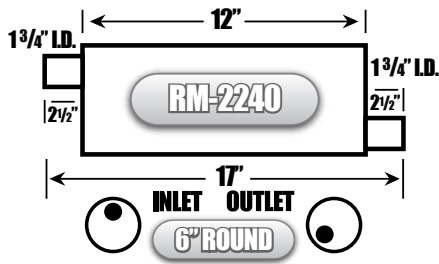
Mufflers Aluminizados

*Mufflers Aluminized*

Mufflers Aluminizadas

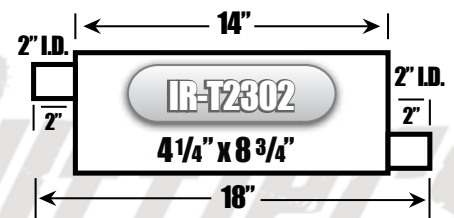
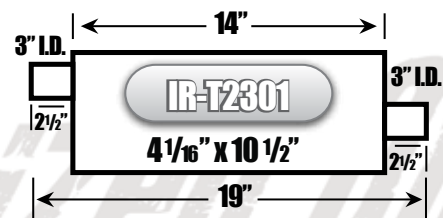
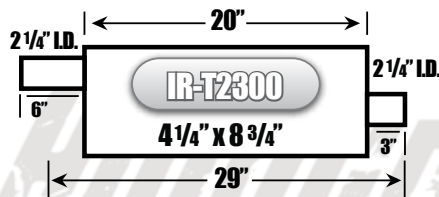
# Round Mufflers 6" Diameter

Mufflers Redondos 6" de diametro



# Truck Line 6" Diameter

Linea de camiones Diametro 6"

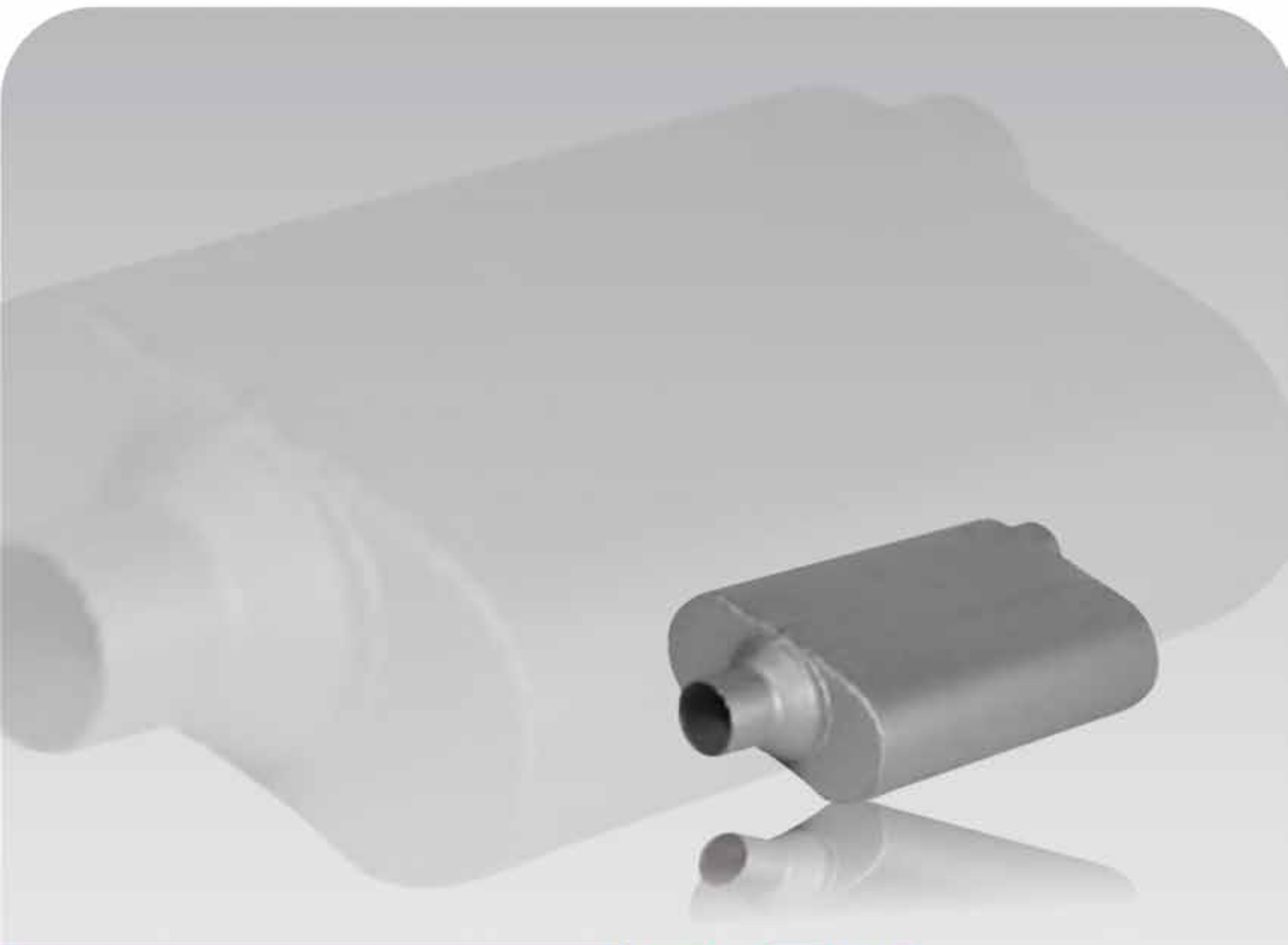


Mufflers Aluminizados

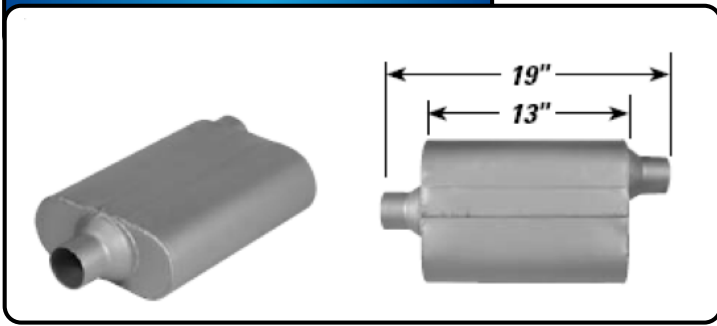
*Mufflers Aluminized*

Mufflers Aluminizadas

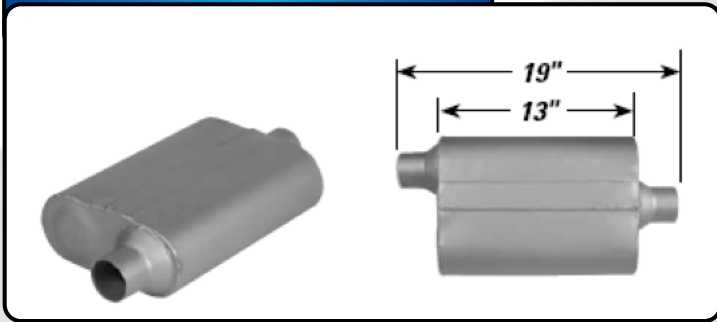
# **FR Exhaust** P R O D U C T S



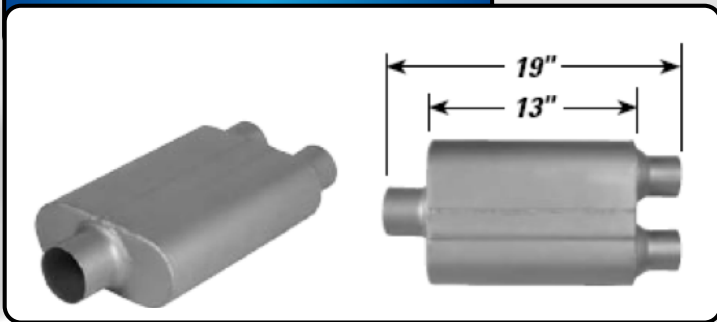
**VX** High Performance  
**MUFFLERS**  
**SERIES**

**CENTER/OFFSET (4 1/4" x 9 1/2")**

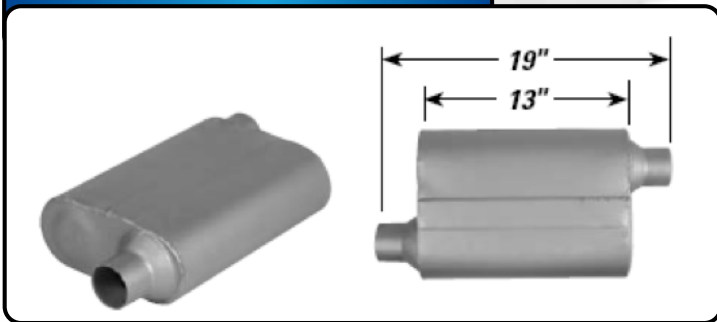
P/N	INLET	OUTLET
VX2442	2 1/4"	2 1/4"
VX2542	2 1/2"	2 1/2"
VX3042	3"	3"

**OFFSET/CENTER (4 1/4" x 9 1/2")**

P/N	INLET	OUTLET
VX2441	2 1/4"	2 1/4"
VX2541	2 1/2"	2 1/2"
VX3041	3"	3"

**CENTER/DUALS (4 1/4" x 9 1/2")**

P/N	INLET	OUTLET
VX0402	3"	2 1/2" Duals
VX0422	3"	2 1/4" Duals
VX4422	2 1/4"	2 1/4" Duals
VX5400	2 1/2"	2 1/2" Duals
VX5422	2 1/2"	2 1/4" Duals

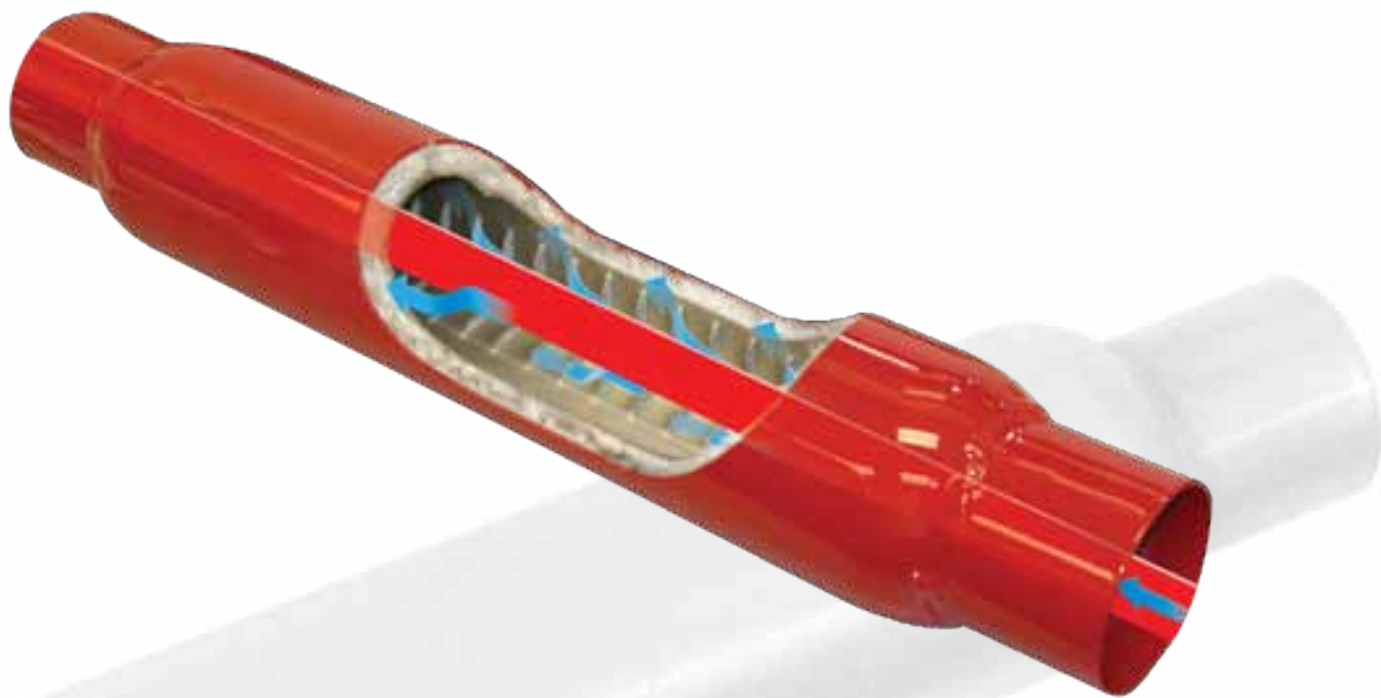
**OFFSET/OFFSET (4 1/4" x 9 1/2")**

P/N	INLET	OUTLET
VX2443	2 1/4"	2 1/4"
VX2543	2 1/2"	2 1/2"
VX3043	3"	3"



# *Aluminized Glasspacks*

Roncadores Aluminizados



Codigo	Case Dia	Case Length	Core Dia	OL	Neck Inlet	Neck Outlet	Neck Configuration
A3012S	3"	12"	1.75"	17"	1.75"	1.75"	Straight
A3012S-3	3"	12"	2"	17"	2"	2"	Straight
A3512B	3.5"	12"	2.25"	12"	Blank		
A3512M	3.5"	12"	2.25"	17"	2"	2"	Medium
A3512S	3.5"	12"	2"	17"	2"	2"	Straight
A3512S-5	3.5"	12"	2.25"	17"	2.25"	2.25"	Straight
A3516M-5	3.5"	16"	2.25"	21"	2.25"	2.25"	Medium
A3516S	3.5"	16"	2"	21"	2"	2"	Straight
A3516S-5	3.5"	16"	2.25"	21"	2.25"	2.25"	Straight
A3518S-5	3.5"	18"	2.25"	23"	2.25"	2.25"	Straight
A3524S	3.5"	24"	2"	29"	2"	2"	Straight
A4312S	4"	12"	3"	17"	3"		Straight

# Aluminized Glasspacks

Roncadores Aluminizados

## Aluminized Mufflers

Roncadores Aluminizados



# *Turbo Mufflers*

Presilenciadores





PN	Case Diam	Case Length	Core Diameter	Overall	Neck ID	Neck OD	Neck Conf
ATT12B	4"	12"	1.75"	12"			
ATT12S-1	4"	12"	1.75"	18"	1.75"	1.75"	Straight
ATT12S-3	4"	12"	1.75"	18"	2"	2"	Straight
ATT12S-5	4"	12"	1.75"	18"	2.25"	2.25"	Straight
ATT12B	4"	12"	1.75"	15"			Blank
ATT15F-3	4"	15"	1.75"	21"	2"	2"	Full
ATT15F-5	4"	15"	1.75"	21"	2.25"	2.25"	Full
ATT15M-3	4"	15"	1.75"	21"	2"	3"	Medium
ATT15M-5	4"	15"	1.75"	21"			Medium
ATT15S-1	4"	15"	1.75"	21"	2.25"	2.25"	Straight
ATT15S-3	4"	15"	1.75"	21"	1.75"	1.75"	Straight
ATT15S-4	4"	15"	1.75"	21"	2"	2"	Straight
ATT15S-5	4"	15"	1.75"	21"	2.25"	2.25"	Straight
ATT15S-8	4"	15"	1.75"	21"	2.25"	2.25"	Straight
ATT18B	4"	18"	1.75"	18"	2.5"	2.5"	Blank
ATT18F-3	4"	18"	1.75"	24"			Full
ATT18M-3	4"	18"	1.75"	24"	2"	2"	Medium
ATT18M-5	4"	18"	1.75"	24"	2"	2"	Medium
ATT18S-1	4"	18"	1.75"	24"	2.25"	2.25"	Straight
ATT18S-3	4"	18"	1.75"	24"	1.75"	1.75"	Straight
ATTATT18S-3-5U	4"	18"	1.75"	31"	2"	2"	Dual Outlet
ATT18S-4	4"	18"	1.75"	24"	2"	2"	Straight
ATT18S-5	4"	18"	1.75"	24"	2.25"	2.25"	Straight
ATT18S-8	4"	18"	1.75"	24"	2.25"	2.25"	Straight
ATT22B	4"	22"	1.75"	22"	2.5"	2.5"	Blank
ATT22S-3	4"	22"	1.75"	28"			Straight
ATT22S-5	4"	22"	1.75"	28"	2"	2"	Straight
ATT24B	4"	24"	1.75"	24"	2.25"	2.25"	Blank
ATT24S-3	4"	24"	1.75"	30"			Straight
ATT24S-5	4"	24"	1.75"	30"	2"	2"	Straight
ATT24S-8	4"	24"	1.75"	30"	2.25"	2.25"	Straight



# *Aluminized Tubing*

Tubería Aluminizada



Part No.	O.D.	Gauge	Length
112A1016	1 ½"	16	10"
112A7516	1 ½"	16	7.5"
134A1016	1 ¾"	16	10"
134A7516	1 ¾"	16	7.5"
200A1016	2"	16	10"
200A7516	2"	16	7.5"
212A1014	2 ½"	14	10"
212A7514	2 ½"	14	7.5"
214A1014	2 ½"	14	10"
214A7514	2 ¼"	14	7.5"
300A1014	3"	14	10"
300A7514	3"	14	7.5"

Part No.	O.D.	Gauge	Length
312A1014	3 ½"	14	10"
312A1016	3 ½"	16	10"
400A1014	4"	14	10"
400A1016	4"	16	10"
400A1414	4"	14	14"
412A1016	4 ½"	16	10"
500A1016	5"	16	10"
512A1016	5 ½"	16	10"
600A1016	6"	16	10"
800A1016	8"	16	10"
1000A1016	10"	16	10"

### Technical Specification

Manufactured from Aluminum Killed Deep Drawing Quality Steel - Prevents Splits and Wrinkles  
 Re-aluminized Weld Seam - Better Appearance and Helps Prevent Corrosion  
 All the Necessary Diameters, Lengths and Gauges For Your Bending Needs

### Características

Manufacturado con procesos de embutición profunda para alta calidad del acero  
 Contruido sin fracturas y especialmente para los sistemas de escape  
 Posee sello realuminizado que ayuda a la apariencia y a prevenir la corrosión  
 Disponible en todos los diámetros de sistemas de escape de 1 ½ a 6" (pulgadas)  
 Los diámetros están hechos para solventar las necesidades del doblado y se adaptan a las dobladoras disponibles en el mercado.

Tubería Aluminizada

**Aluminized Tubing**  
 Tubería Aluminizada



# *Flex Tubing*

Tubería Flexible



### Complete Coverage

Constructed with 2-Ply Bellows

Designed with a Seamless, Convolutad Inner Core to Prevent Exhaust Leaks

Increased Flexibility Reduces Vibrations

Available with or without Expandable Nipple Extensions

Available with Inner Braid

### Características

1. Cobertura Completa de todos los diámetros.
2. Contruido con malla dentro y fuera
3. Diseñado y contruido en una sola pieza.
4. Capa interior intrincada para prevenir las fugas
5. Incrementa la flexibilidad y reduce las vibraciones
6. Disponibles con o sin nipple

Código	Largo	Overall	Dia
IR13404DB	4"	4"	1.77"
IR13406DB	6"	6"	1.77"
IR13408DB	8"	8"	1.77"
IR13410DB	10"	10"	1.77"
IR20004DB	4"	4"	2.02"
IR20006DB	6"	6"	2.02"
IR20008DB	8"	8"	2.02"
IR20010DB	10"	10"	2.02"
IR21404DB	4"	4"	2.27"
IR21406DB	6"	6"	2.27"
IR21408DB	8"	8"	2.27"
IR21404DB	10"	10"	2.27"
IR21204DB	4"	4"	2.52"
IR21206DB	6"	6"	2.52"
IR21208DB	8"	8"	2.52"
IR21210DB	10"	10"	2.52"
IR30004DB	4"	4"	3.02"
IR30006DB	6"	6"	3.02"
IR30008DB	8"	8"	3.02"
IR30004DB	10"	10"	3.02"

# Flex Tubing

Tubería Flexible



# *Truck Mufflers*

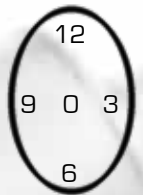
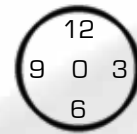
Mufflers para Camión



CENTER TO CENTER



OFFSET TO OFFSET



INLET/OUTLET POSITION

PN	Style	Description	ID	ID	ID Pos	OD Pos	Fig	ID Offset	OD Offset	Cross Sectio	Shell Length	OL Length
3654	2	OFFSET/ OFFSET	2"	2 1/2"	6	1	1	13/32"	1 13/32"	6 5/8"	28"	35"
3721	1	CENTER/ CENTER	3"	3"	0	0	1	0	0	6"	21"	30"
3716	2	OFFSET/ OFFSET	3"	4"	12	6	2	2"	2"	8" x 11"	30"	36 3/8"
3871	1	CENTER/ CENTER	4"	4"	0	0	1	0	0	7"	22"	28"
4227	1	CENTER/ CENTER	4"	4"	0	0	1	0	0	7"	36"	43"
3625	1	CENTER/ CENTER	4"	4"	0	0	1	0	0	8"	34"	40 1/4"
3891	1	CENTER/ CENTER	4"	4"	0	0	1	0	0	8"	44"	51"
3666	1	CENTER/ CENTER	4"	4"	0	0	1	0	0	9"	43"	51"
3893	1	CENTER/ CENTER	4"	5"	0	0	1	0	0	10"	44"	51"
3712	1	CENTER/ CENTER	4"	5"	0	0	1	0	0	9"	44"	51"
3699	1	CENTER/ CENTER	5"	5"	0	0	1	0	0	10"	44"	51"
3640	1	CENTER/ CENTER	5"	5"	0	0	1	0	0	10"	44"	51"
3682	1	CENTER/ CENTER	5"	5"	0	0	1	0	0	9"	10"	16"
3895	1	CENTER/ CENTER	5"	5"	0	0	1	0	0	9"	20"	26"
3667	1	CENTER/ CENTER	5"	5"	0	0	1	0	0	9"	44"	51"

# Truck Mufflers

Mufflers para Camión



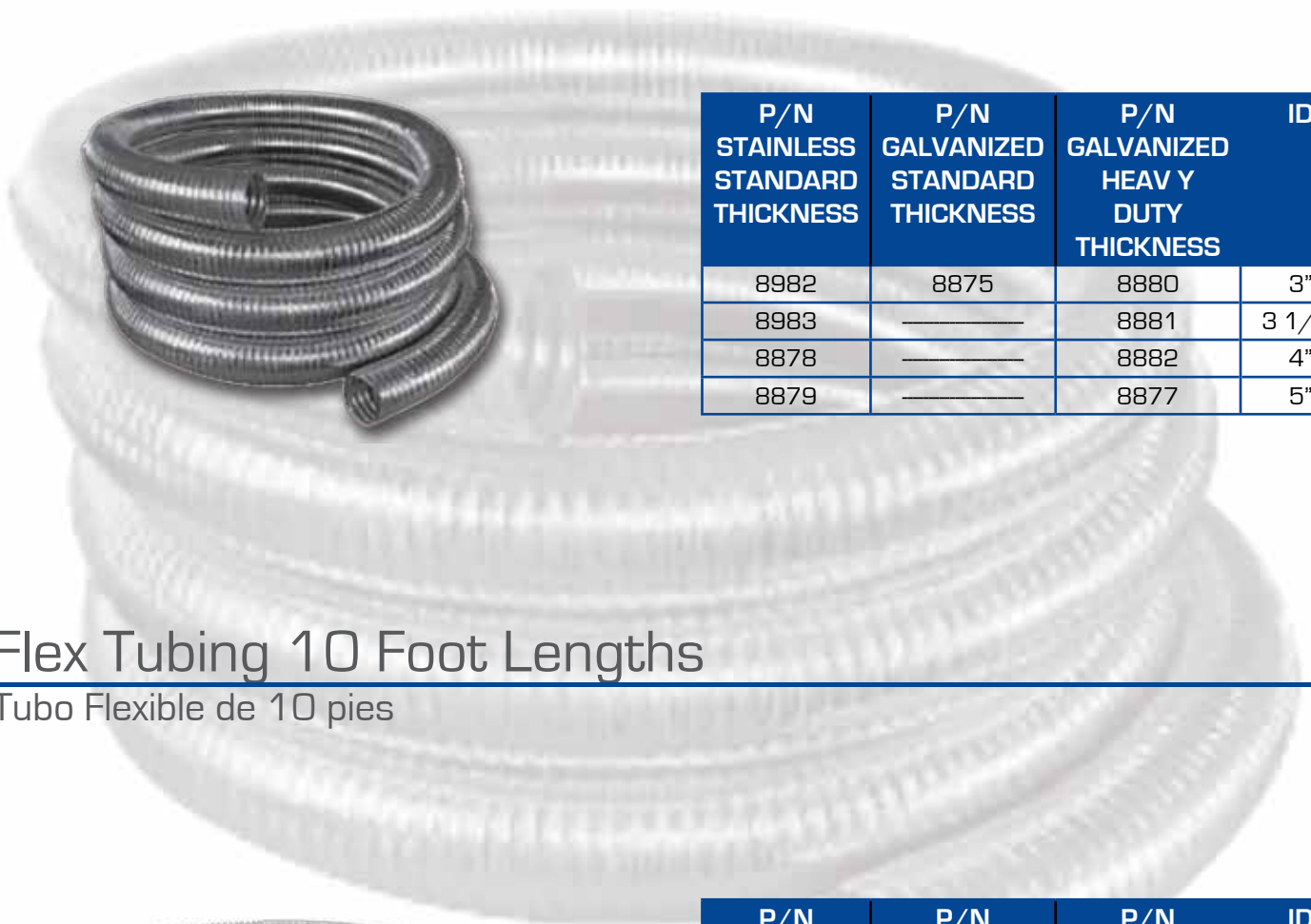
# ***FLEX TUBING 10 and 25 FOOT LENGTHS***

Tubo Flexible de 10 y 25 pies



# Flex Tubing 25 Foot Lengths

Tubo Flexible de 25 pies



P/N STAINLESS STANDARD THICKNESS	P/N GALVANIZED STANDARD THICKNESS	P/N GALVANIZED HEAVY DUTY THICKNESS	ID
8982	8875	8880	3"
8983	—————	8881	3 1/2"
8878	—————	8882	4"
8879	—————	8877	5"

# Flex Tubing 10 Foot Lengths

Tubo Flexible de 10 pies



P/N STAINLESS STANDARD THICKNESS	P/N GALVANIZED STANDARD THICKNESS	P/N GALVANIZED HEAVY DUTY THICKNESS	ID
8885	8859	8986	3"
8886	8876	8987	3 1/2"
8887	8856	8988	4"
8888	8857	8989	5"

*FLEX TUBING 10 and 25 FOOT LENGTHS*

Tubo Flexible de 10 y 25 pies



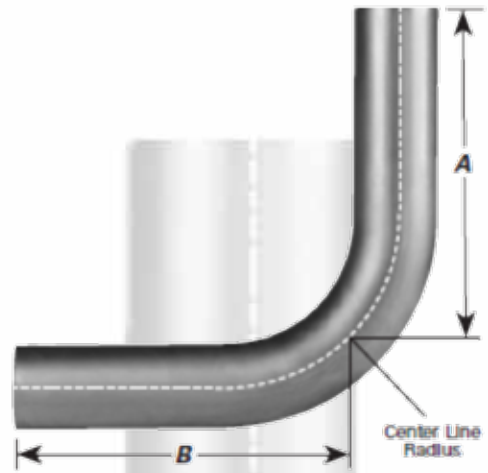
# *Elbows*

Codos

# ALUMINIZED 90° ELBOWS

One end is I.D., the other end is O.D.

PN	DIAMETER	LENGTH A-B	CENTERLINE RADIUS
10675	3"	8"-8¼"	6"
10304	3"	14"-14"	6"
10795	3½"	6¼"-6¼"	3½"
10676	3½"	9"-9"	4½"
10305	3½"	16"-16"	7"
10681	4"	8"-8"	4½"
10678	4"	10"-10"	4½"
10761	4"	12"-12"	6"
10306	4"	18"-18"	8"
10764	5"	8½"-8½"	3½"
10557	5"	11"-11"	6"
10765	5"	15"-15"	8"
10554	5"	15"-15"	10"
10308	5"	18"-18"	10"



# ALUMINIZED 90° ELBOWS

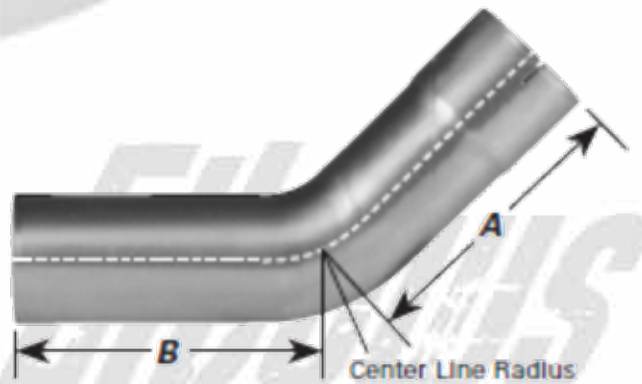
Both ends are O.D.

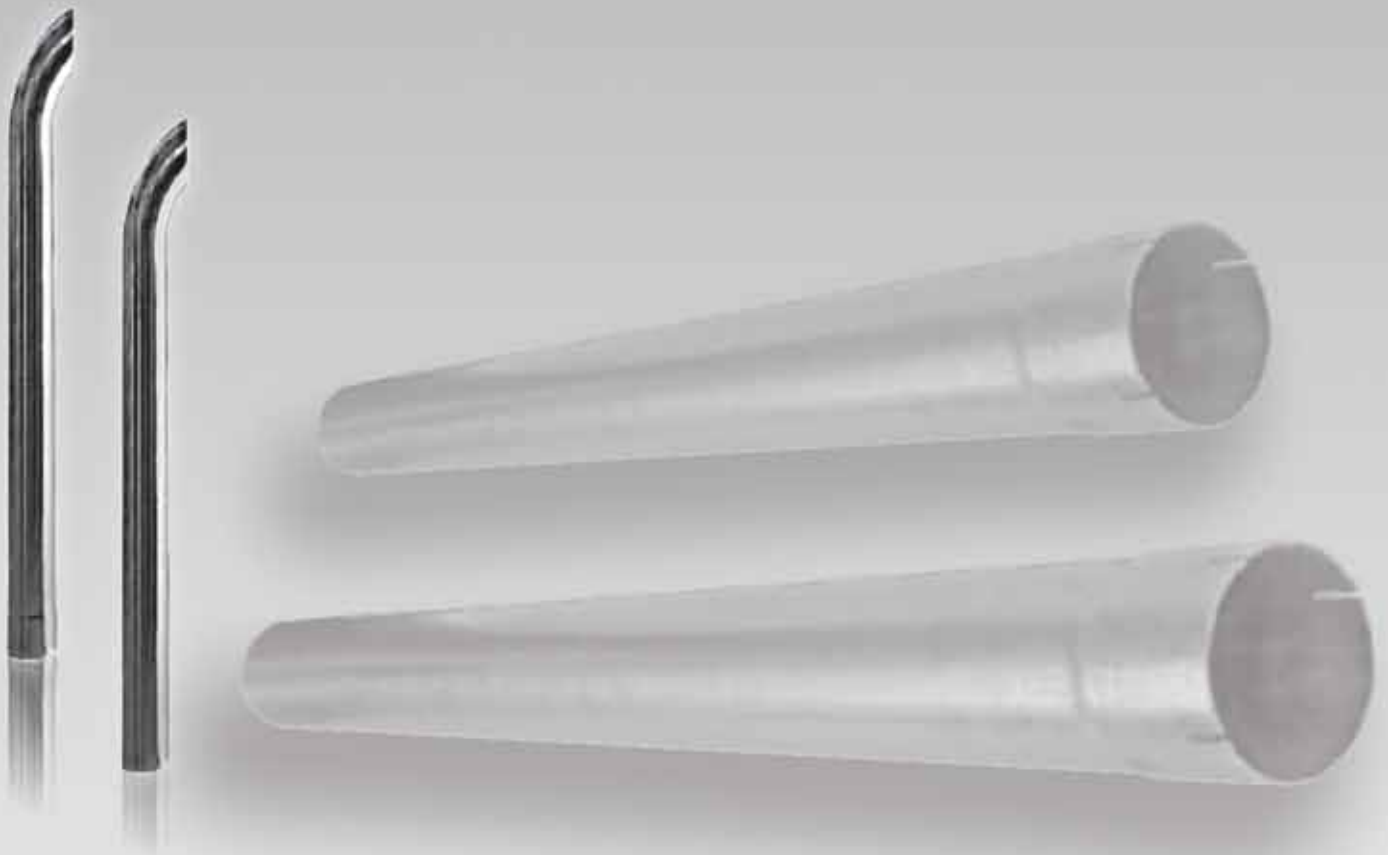
PN	DIAMETER	LENGTH A-B	CENTERLINE RADIUS
10337	3"	3"-3"	3½"
10339	4"	4½"-4½"	4½"
10781	4"	8"-8"	4"
10539	4"	12"-12"	5½"
10785	5"	8½"-8½"	6"
10789	5"	9½"-9½"	6"
10791	5"	12"-12"	6"
10540	5"	15"-15"	8"

# ALUMINIZED 90° ELBOWS

One end is I.D., the other end is O.D.

PN	DIAMETER	LENGTH A-B	CENTERLINE RADIUS
10313	3"	7"-7"	6"
10314	3½"	8"-8"	7"
10726	4"	6"-6"	6"
10315	4"	9¼"-9¼"	8"
10729	5"	7"-7"	8"
10730	5"	8"-8"	10"
10317	5"	12"-12"	8"





# *Stack Pipes*

---

Stack Pipes

# STACK PIPE

---

ANGLED (OD)

P\N ALUMINIZED	P\N CHROME	INLET DIA	LENGTH
24346	-	4"OD	12"
24717	824721	4"OD	18"
24718	824722	6"OD	18"
-	824751	5"OD	24"
-	824728	5"OD	36"
-	844671	5"OD	48"
-	854728	5"OD	60"

# STACK PIPE

---

ANGLED (ID)

P\N ALUMINIZED		INLET DIA	LENGTH
14618	-	3" ID	12"
14619	-	3 ½" ID	12"
14620	-	4" ID	12"
24713	824715	4" ID	18"
24714	824716	5" ID	18"
-	834747	5" ID	36"

# STACK PIPE

---

SQUARE CUT (ID)

P\N ALUMINIZED	INLET DIA	LENGTH
9599	3 ½" ID	18"
24711	4" ID	18"
24737	4" ID	24"
34715	4" ID	36"
24712	5" ID	18"
24739	5" ID	24"
24716	5" ID	36"
44658	5" ID	48"



*Stack Pipes*  
Stack Pipes



# *Stainless Steel Tips*

Stainless Steel Tips



IRT-005

ID	OD	OL
2.5"	3.5"	8.5"



IRT-006

ID	OD	OL
2.25"	3.5"	8.5"



IRT-007

ID	OD	OL
2.25"	2.5"	10"



IRT-008

IRT-008S

ID	OD	OL
2.25"	8.25"	8.25"



IRT-009

ID	OD	OL
2.25"	8.25"	8.25"



IRT-010

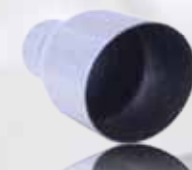
ID	OD	OL
2.25"	3.5"	7.25"



IRT-0013A

IRT-0013B

ID	OD	OL
2.25"	3" 3.5"	8"



IRT-014

ID	OD	OL
2.75"	4.5"	7"



IRT-015

ID	OD	OL
2"	3"	6.25"



IRT-019

ID	OD	OL
2.25"	4.5"	10"



IRT-024S

IRT-024

ID	OD	OL
2.25"	4.5" 3.5"	8" 7.5"



IRT-027A

IRT-027C

IRT-027S

ID	OD	OL
2.25	8" x 2.25" 6" x 2" 8" x 2.5"	10"



IRT-027R

ID	OD	OL
2.25"	7.6"	9.4"



IRT-039A

IRT-039B

ID	OD	OL
2.25"	5.5" 3.25"	7.5" 12"



IRT-040

ID	OD	OL
2.25"	3.75"	7"

Stainless Steel Tips

**Stainless Steel Tips**  
Stainless Steel Tips



IRT-041

ID	OD	OL
2.25"	3.75" x 3"	7"



IRT-042

ID	OD	OL
2.25"	3.75" x 3.13"	7"



IRT-24063

ID	OD	OL
2.25"	3.25" x 3"	7"



IRT-043S

IRT-043

ID	OD	OL
2.25"	5" x 3.25"	9.5" x 9.5"



IRT-045L

IRT-045R

ID	OD	OL
2.25"	6.25" x 3.75"	12"



IRT-047

ID	OD	OL
2.25"	3.75" x 2.25"	7"



IRT-049

ID	OD	OL
2.25"	3.75" x 2.25"	7"



IRT-052

ID	OD	OL
2.25"	4"	8"



IRT-061L

IRT-061R

ID	OD	OL
2.25"	4.25" x 3.25"	6"



IRT-062

ID	OD	OL
2.25"	4.5" x 3.75"	7"



IRT-064

ID	OD	OL
2.5"	4.5" x 3.25"	8.25"



IRT-24002

ID	OD	OL
2.25"	4"	8.5"



IRT-24004

ID	OD	OL
2.25"	4" x 3.5"	8"



IRT-24013A-16

ID	OD	OL
2.25"	3"	16"



IRT-24016ST

ID	OD	OL
2.25"	3.5"	4.5"

Stainless Steel Tips

**Stainless Steel Tips**  
Stainless Steel Tips





IRT- 24055A  
IRT- 25055A

ID	OD	OL
2.25"	9"	4.5"
2.5"		



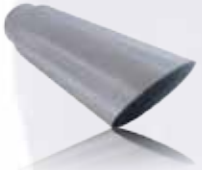
IRT- 24071

ID	OD	OL
2.25"	3.2" x 2.7"	15"



IRT- 30012

ID	OD	OL
3"	4"	12"



IRT- 304012AC

ID	OD	OL
3"	4"	12"



BQ9-405013AC

ID	OD	OL
4"	5"	12"



IRT- 24053B-6  
IRT- 24053B-12

ID	OD	OL
2.25"	3.75" x 3.25"	6.5"
		12"



IRT- 24081-6  
IRT- 24081-12

ID	OD	OL
2.25"	5.75" x 3"	6"
		12"



IRT- 24080-6  
IRT- 24080-12

ID	OD	OL
2.25"	5.75" x 3"	6"
		12"



IRT- 305041-12

ID	OD	OL
3"	5.25" x 4.25"	12"



IRT-305052-12  
IRT-305052-18

ID	OD	OL
3"	4"	12"
2.25"		18"



BQ9-405012RSL

ID	OD	OL
4"	5"	12"



IRT- 25086L  
IRT- 25086R

ID	OD	OL
2.5"	2.8" x 6"	9.6"



DT-305040-12

ID	OD	OL
3"	3" x 4"	12"



IRT- 025  
IRT- 025S

ID	OD	OL
2.25"	3.5" x 4"	11.5"
	3" x 3.5"	11.25"



IRT- 026A  
IRT- 026B

ID	OD	OL
2.25"	3.5"	12.5"

Stainless Steel Tips

**Stainless Steel Tips**  
Stainless Steel Tips



IRT-048

ID	OD	OL
2.25"	3"	10"



IRT-24022DL

ID	OD	OL
2.25"	3.2" x 3.2"	9.5"



IRT-24024DS

ID	OD	OL
2.25"	3.5"	12.75"



IRT-24030DL

ID	OD	OL
2.25"	3.5" x 3"	9.25"



IRT-24065DL

ID	OD	OL
2.25"	5.5" x 3.5"	14.5"



IRT-24018DL

ID	OD	OL
2.25"	2.4" x 2.4"	8.3"



IRT-24038DL

ID	OD	OL
2.25"	4"	20.5"
3"		



IRT-24066RDS

ID	OD	OL
2.25"	2.75"	10.5"



IRT-25088DL

ID	OD	OL
2.25"	3.5"	10"



IRT-30038DS

ID	OD	OL
2.25"	4"	20.5"



IRT-24082L

ID	OD	OL
2"	3" x 3.5" x 5.4"	8.5"



IRT-243512DS

ID	OD	OL
2.25"	3.5" x 7.25"	18"

## Angle Cut Tips



	INLET	Overall Size
JAC 134	1.75"	8" x 2"
JAC 200	2"	9" x 2.25"
JAC 214	2.25"	9" x 2.5"
JAC 31212	2.25"	12" x 3.5"
JAC 31216	2.25"	16" x 3.5"
JAC 31218	2.25"	18" x 3.5"
JAC 31222	2.25"	22" x 3.5"
JAC 422	2.5"	22" x 4"



## Pencil Tips

	INLET	Overall Size
JPT 134	1.75"	8" x 2"
JPT 200	2"	9" x 2.25"
JPT 212	2.5"	9" x 2.75"
JPT 214	2.25"	9" x 2.5"

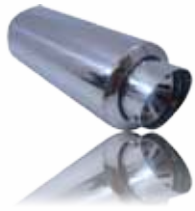
Stainless Steel Tips

**Stainless Steel Tips**  
Stainless Steel Tips



# *Stainless Steel Mufflers*

Stainless Steel Mufflers



IRM- 142T

ID	OD	OL
2.25"	4"	20.5"



IRM- 152

ID	OD	OL
2.25"	4.5"	19.25"
	W 6"	
	H 6"	

6" Round



IRM- 148

ID	OD	OL
2.25"	5.67"x 2.86"	24"
	W 5"	
	H 4"	

IRM- 147S

6" Round adjustable silencer slanted



IRM- 147S-BF

6" Round blue flame adjustable slanted

ID	OD	OL
2.25"	4.00"	20.50"
	W 6"	
	H 6"	



IRM- 151

ID	OD	OL
2.25"	4"x 2.85"	15"
	L 9"	
	W 6.5"	
	H 4"	



IRM 202SV

Silver Carbon Fiber Adjustable Silencer

DTM 202B Black

DTM 202R Red

DTM 202U Blue

ID	OD	OL
2.25"	4"	20"
	L 15.25"	
	W 6"	
	H 6"	



IRM- 142BF

ID	OD	OL
2.25"	4"	20.5"



IRM- 121S

ID	OD	OL
2.25"	3.25"x3.25"	25"
	W 8"	
	H 5"	



IRM- 121

ID	OD	OL
2.25"	3.25"x3.25"	25"
	W 8"	
	H 5"	



IRM- 120Y

ID	OD	OL
2.25"	4"	18.5"
	W 6"	
	H 5"	



IRM- 125

ID	OD	OL
2.25"	6"	18.5"
	W 6"	
	H 6"	



IRM- 123

IRM- 123BT

ID	OD	OL
2.25"	5"	17"



IRM- 123

ID	OD	OL
2.25"	5"	19"



IRM- 122S

ID	OD	OL
2.25"	3"	19"
	W 10"	
	H 4.5"	



IRM- 124

ID	OD	OL
2.25"	5"	24.89"
	W 8"	
	H 5"	

Stainless Steel Mufflers

*Stainless Steel Mufflers*

Stainless Steel Mufflers



IRM-126

ID	OD	OL
2.25"	4.75"	24.5"
W	8"	
H	5"	



IRM-127

ID	OD	OL
2.25"	3.75"x3.13"	24.5"
W	8"	
H	5"	



IRM-128

ID	OD	OL
2.25"	3.75"x3.13"	24.5"
W	8"	
H	5"	



IRM-118

ID	OD	OL
2.25"	3.25"	25"
W	8"	
H	5"	



IRM-120R

ID	OD	OL
2.25"	4"	18.5"
W	6"	
H	6"	



IRM-120U

ID	OD	OL
2.25"	4"	18.5"
W	6"	
H	6"	



IRM-129

ID	OD	OL
2.25"	5.5" x 3.5"	24.5"
W	8"	
H	5"	



IRM-108

ID	OD	OL
2.25"	3"	22.5"
W	8"	
H	5"	

Oval W/dual Turn-Up



IRM-134

ID	OD	OL
2.25"	4"	24"
W	8"	
H	5"	



IRM-136

ID	OD	OL
2.25"	4.5"	24.75"
W	8"	
H	5"	



IRM-138

ID	OD	OL
2.25"	3.75" x 2.25"	24.5"
W	8"	
H	5"	



IRM-141

ID	OD	OL
2.25"	3.5"	18.75"
W	4"	
H	4"	

4" Round



IRM-131

ID	OD	OL
2.25"	3.5"	24.5"
W	8"	
H	5"	



IRM-132

ID	OD	OL
2.25"	3.5"	23"
W	8.5"	
H	4"	



IRM-133

ID	OD	OL
2.25"	4.5"	24"
W	8"	
H	5"	

Stainless Steel Mufflers

**Stainless Steel Mufflers**

Stainless Steel Mufflers



IRM-106S-BF

ID	OD	OL
2.25"	4"	17.5"
	W 6"	
	H 6"	

6" Round with 4" slanted blue flame



IRM-117

ID	OD	OL
2.25"	3"	24"
	W 8"	
	H 5"	



IRM-116

ID	OD	OL
2.25"	4.5"	25"
	W 8"	
	H 5"	



IRM-115

ID	OD	OL
2.25"	4.5"	25"
	W 6"	
	H 6"	



IRM-113

ID	OD	OL
2.25"	3"	20.5"
	W 5"	
	H 5"	

5" Round with 3" slanted double wall



IRM-130

ID	OD	OL
2.25"	3.5"	24.5"
	W 8"	
	H 5"	



IRM-112

ID	OD	OL
2.25"	4.5"	23"
	W 6"	
	H 6"	

6" Round W/4.5" Double Wall



IRM-107

ID	OD	OL
2.25"	4.5"	23"
	W 8"	
	H 5"	

Oval with 4.5" slanted



IRM-109

ID	OD	OL
2.25"	3"	24"
	W 8"	
	H 5"	

Oval with dual double layer

# Stainless Steel Mufflers

Stainless Steel Mufflers

## Stainless Steel Mufflers

Stainless Steel Mufflers

# **FR Exhaust** P R O D U C T S



# **Equipment**

Equipos

# Equipment

## Equipos

Every muffler shop needs some implements and equipment to keep working. As part of our services we can help them adding value with modern equipment new or used.

We sale:

Four Post lift  
Pipe Bender Machine  
Heavy Duty equipment

Just use the contact page and We'll help you.



Cada taller necesita los implementos y el equipo necesario para realizar su trabajo. Nosotros ofrecemos cada uno de los elementos necesarios para añadir valor al servicio de su negocio, ofreciendole

Puentes de cuatro postes.  
Maquinas dobladoras de tubo  
Equipo pesado  
Herramientas  
Soldadura  
Y cualquier implemento que necesite

Solo contactenos y gustosamente le ayudaremos.



Equipos





# *Hardware*

Accesorios

# Clamps

## Gazas

P/N	SIZE	BOX QTY
339893	1 1/2"	100
339892	1 3/4"	100
339891	1 7/8"	100
339890	2"	100
339889	1 1/4"	100
339888	2 1/2"	100



# Hangers

## Hangers

BULK P/N	BOX QTY	SINGLE PACK P/N	LENGTH	ROD DIA
339816	50	339816S	10"	3/8"
339819	50	339819S	10"	3/8"
339820	25	339820S	10"	3/8"



**Part No. T26 - 6oz.**  
**Part No. T27 - 16oz.**

This high-performance muffer cement applies like putty but dries metal hard. Available in cases of 12 only  
Cemento de alto rendimiento para metal.



**4962**

18MM Female  
O2 Sensor Boss  
Rosca para sensor de oxigeno



**12022 12023**

Bi Metal Reciprocating Saw  
Blades  
Heavy gauge metals 1/8" thick  
6" and 8" length 14T .035  
Seguetas Bimetálicas para caladoras



**8802**

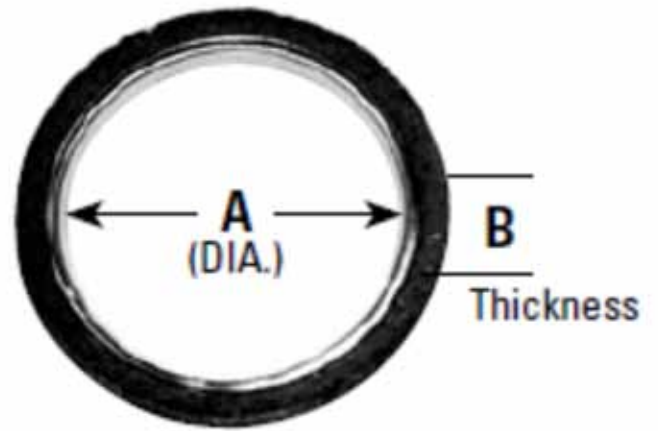
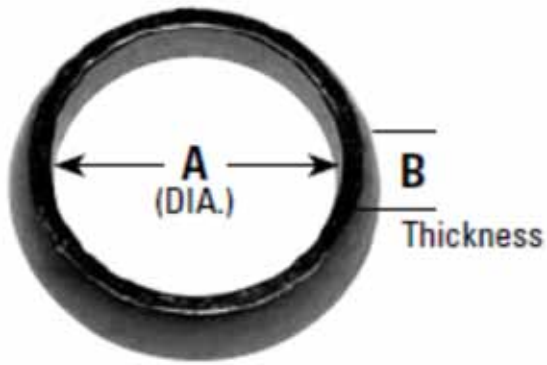
Fits 1 3/4" and 2" pipes Gasket  
included. Stainless Steel

# Hangers

## Hangers

P/N	INLET SIZE	OUTLET SIZE	OVERALL SIZE
AY175	1 3/4" I.D.	1 3/4" O.D.	12 1/2"
AY200	2" I.D.	2" O.D.	12 1/2"
AY225	2 1/4" I.D.	2 1/4" O.D.	12 1/2"
AY250	2 1/2" I.D.	2 1/2" O.D.	13"
AY300	3" I.D.	2 1/2" O.D.	13"





GASKET NO.	A	B
8410	1 1/2"	1/2"
8706 <sup>1</sup>	1 25/32"	1/2" ?
9002	2 3/16"	5/8"
9003 <sup>2</sup>	2 1/32"	19/32"
9019	2 1/8"	5/8"
9056 <sup>2</sup>	2 1/8"	1/2"
9082 <sup>1</sup>	2 13/16"	19/32"
9084 <sup>2</sup>	2 1/8"	3/4"
9087 <sup>1</sup>	2"	1/2"
9090 <sup>1</sup>	2"	5/8"
9094 <sup>1</sup>	1 3/4"	9/16"
9095 <sup>1</sup>	2 5/16"	5/8"
9215	1 29/32"	21/32"
9216	2 3/8"	5/8"
9221 <sup>1</sup>	2 1/4"	1/2"
9225 <sup>3</sup>	2 5/16"	1 1/16"
9231 <sup>3</sup>	2"	9/16"
9236 <sup>1</sup>	1 11/16"	5/8"
9240 <sup>1</sup>	1 11/16"	1/2"
9248 <sup>3</sup>	2 1/2"	15/32"
9257	2 5/32"	21/32"
9264 <sup>1</sup>	2 1/16"	5/8"
9290 <sup>1</sup>	1 29/32"	5/8"

GASKET NO.	A	B
8690	1 3/4"	3/16"
8693	2"	3/16"
8702	2 9/32"	3/16"
8731°	2"	1/16"
8733	1 15/16"	5/32"
8737	2 5/32"	3/16"
8749	1 13/16"	3/16"
8754	1 15/32"	7/32"
8762	2 13/16"	5/32"
8764°	5 9/64"	3/16"
8770	1 9/16"	3/16"
9016	2 3/8"	3/16"
9024	1 31/32"	3/16"
9026	2 19/32"	3/16"
9027	2 3/16"	1/8"
9044	2 13/32"	7/32"
9059	2 5/8"	3/16"
9061	2"	1/8"
9066	1 7/8"	3/16"
9080	2 3/32"	5/32"
9100	2 1/16"	1/16"
9207	2 31/32"	3/16"
9218°	2 3/4"	3/16"
9233	2 1/32"	15/32"
9252	1 13/16"	3/16"
9266	2 9/16"	1/16"
9267	1 7/8"	3/16"
9268	2 7/32"	5/32"
9282	2 3/8"	3/16"
9292	1 5/8"	3/8"

<sup>1</sup> Graphoil Material

<sup>2</sup> Sintered Iron Material

<sup>3</sup> Metal Mesh Material

Accesorios

**Hardware**  
Accesorios



***Recycling***

Reciclaje

# Recycling

## Reciclaje

We recycle catalytic converters by grading.  
We offer honest grading and the most competitive prices in the market.  
We offer decanning and melt services.  
We accept catalytic converter cores as a credit or payment method for your orders

Reciclamos convertidores cataliticos usados.  
Le ofrecemos una clasificacion honesta y los precios mas competitivos del mercado  
Además le ofrecemos los servicios de desenlataje y fundido.  
Aceptamos sus cataliticos viejos como pago por cualquier material nuevo que ordene.



**Recycling**  
Reciclaje



7270 NW 70 ST, Miami, Florida.33166  
Phone: 1.305.805.9988 Fax: 1.305.805.9989  
[www.irexhaust.com](http://www.irexhaust.com)  
Email: [info@ivanranexhaust.com](mailto:info@ivanranexhaust.com)